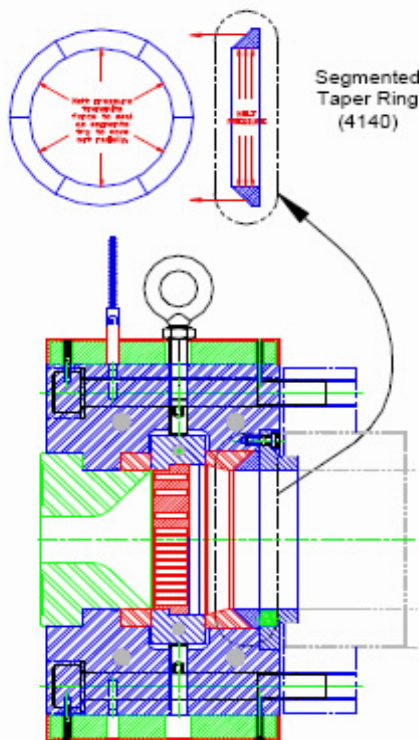




PSI's Patent Pending Seal



- NO MAINTENANCE
- NO DEGRADATION
- NO LIMITATIONS
- NO LEAKS!!

PSI's All-Steel Pressure Activated Seal

